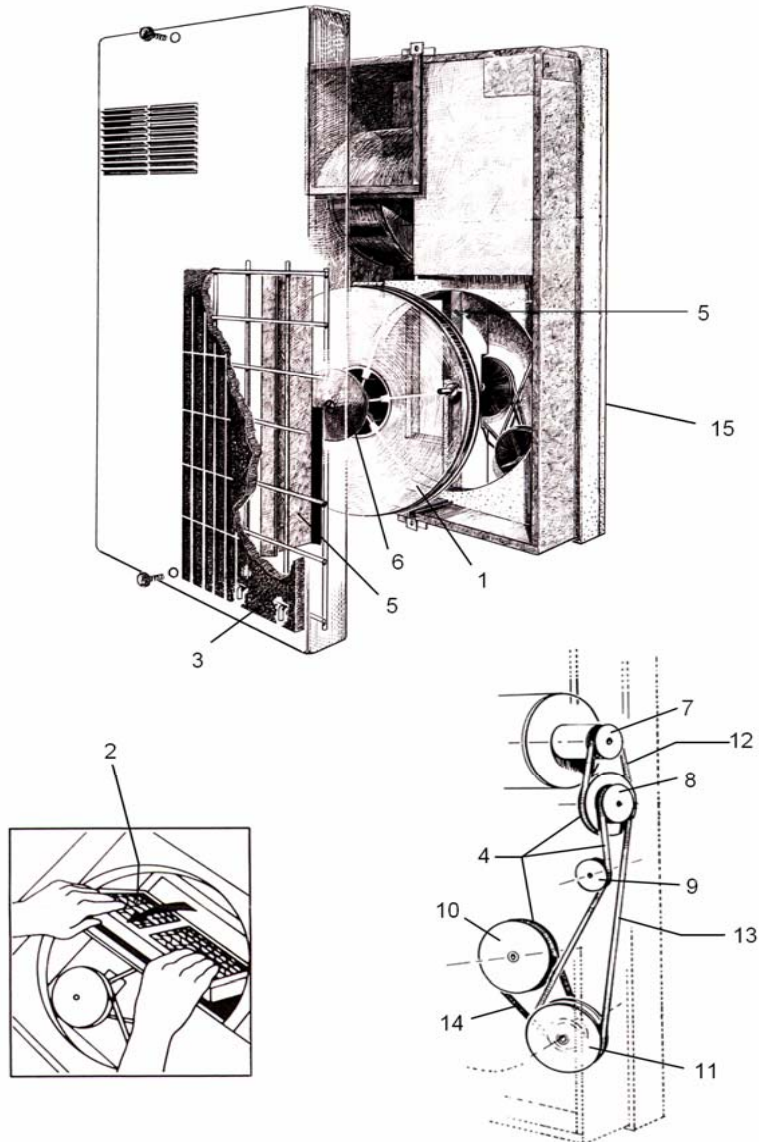


**AIRXCHANGE  
NUTONE**

**570D Series  
AE-70CW Series**

**IPB051**  
032006



ITEM	DESCRIPTION	AIRXCHANGE PART NO.
1	Sensible Heat Wheel	181065
1	Desiccant Heat Wheel	181204A
2	Fresh Air Intake Filter (single)	181066A
2	Fresh Air Intake Filter (12 Pack)	181066B
2	Fresh Air Intake Filter (6 Pack)	181066C
3	Room Air Filter (12 Pack)	181067A
3	Room Air Filter (single)	181067B
4	Drive Belt Set (before 9/90)	181068
4	Drive Belt Set (after 9/90)	181068E
5	Wheel Divider Air Curtain Set	181071
6	Hub Cover	181053A
7	Blower Drive Pulley	181222A
8	Primary Reduction Drive Pulley	181074
9	Idler Pulley	181073
10	Secondary Reduction Drive Pulley	181051
11	Wheel Drive Pulley	181054
12	Belt, reduction drive (after 9/90)	181069A
13	Belt, reduction drive (after 9/90)	181072A
14	Belt, wheel drive (after 9/90)	181078A
15	Damper Motor	181218

Minimum Replacement Parts Order Amount \$25  
Payment Terms: Visa, Mastercard or Prepay. For UPS COD add \$8.50

Place Orders using Airxchange Part Numbers

